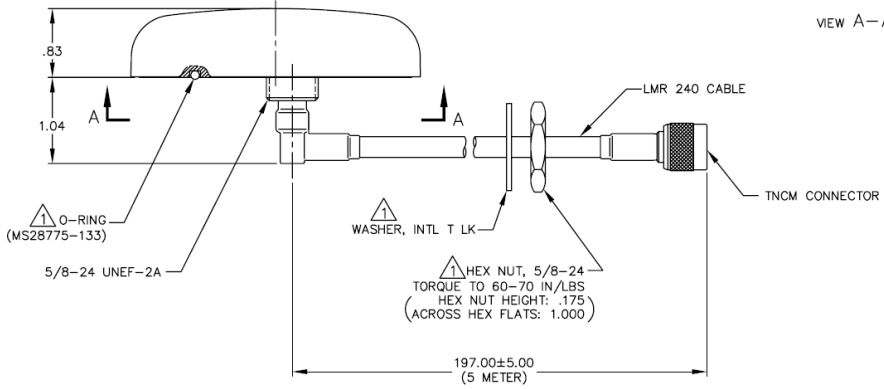
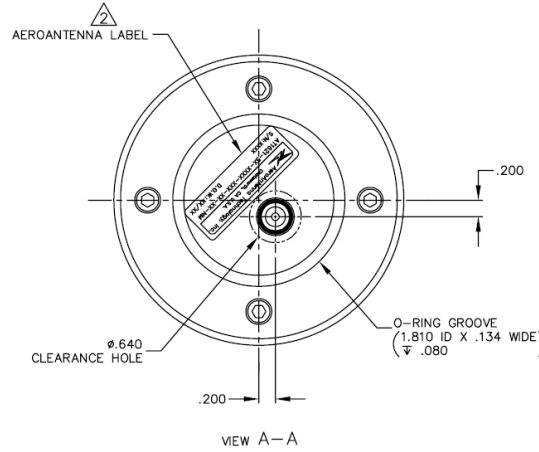
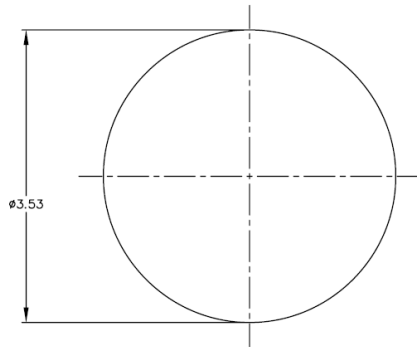


PROPRIETARY NOTICE: This document contains proprietary information of AeroAntenna Technology, Inc. (AAT). Neither the document nor said proprietary information shall be published, reproduced, copied, disclosed or used for any purpose other than consideration of this document without the express written permission of a duly authorized representative of said AeroAntenna Technology, Inc.

REVISIONS			
SYM	DESCRIPTION	DATE	APPROVED
E	UPDATE PER ECO 8477	10/24/08	

NOTES: UNLESS OTHERWISE SPECIFIED.

- 1 O-RING, LOCK WASHER AND HEX NUT SUPPLIED BY AEROANTENNA.
- 2 LABEL SIZE, SHAPE AND CONTENTS SUBJECT TO CHANGE WITHOUT NOTICE.
- 3. TOLERANCE: .XX = ±.03
.XXX = ±.010



SPECIFICATION:

FREQUENCY: 1616-1626 MHz
 POLARIZATION: RIGHT HAND CIRCULAR
 AXIAL RATIO: 3dB MAX
 RADIATION COVERAGE: 4.0 dBic $\theta = 0^\circ$
 -1.0 dBic $0^\circ < \theta < 75^\circ$
 -2.5 dBic $75^\circ \leq \theta < 80^\circ$
 -4.5 dBic $80^\circ \leq \theta < 85^\circ$
 -7.5 dBic $\theta = 90^\circ$
 IMPEDANCE: 50 OHMS
 VSWR: $\leq 2.0:1$
 WEIGHT: 10 OZ MAX
 MATERIAL: BASE-A380 AL CASTING ALLOY
 RADOME-HIGH IMPACT XENOY
 ALTITUDE: 20,000'
 OPERATING TEMP: -40°C TO +85°C



TITLE			
Iridium BOLT Mount Ant - Black			
SIZE	CAGE CODE	DRAWING NO.	REV
B	OUVG2	RST720	E
SCALE	NONE		SHEET 1 OF 1
Antenna Includes 5m cable			