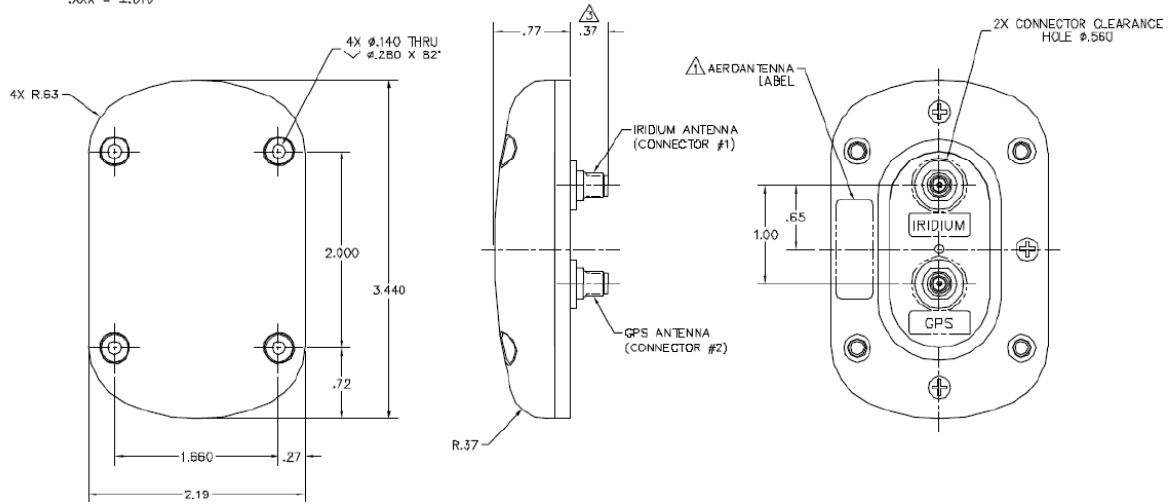


PROPRIETARY NOTICE: This document contains proprietary information of ASI, Inc. Neither the document nor any proprietary information shall be published, reproduced, copied, disclosed or used for any purpose other than compliance of this document without the express written permission of a duly authorized representative of ASI Company.

REVISIONS			
SYM	DESCRIPTION	DATE	APPROVED
1	ENGINEERING RELEASE	09/01/06	

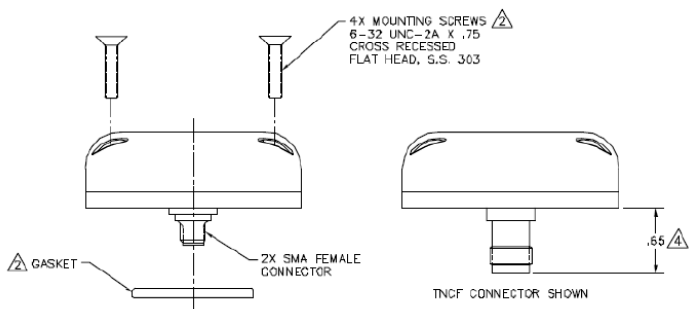
NOTES: UNLESS OTHERWISE SPECIFIED.

- ▲ SIZE, SHAPE, AND CONTENTS OF NAME PLATE ARE SUBJECT TO CHANGE WITHOUT NOTICE.
- ▲ MOUNTING SCREWS AND O-RING SUPPLIED BY AERDANTENNA.
- ▲ DIMENSIONS FOR SMAF CONNECTOR.
- ▲ DIMENSIONS FOR TNCF CONNECTOR.
- 5. TOLERANCE: .XX = ±.03
.XXX = ±.010



SPECIFICATION:

FREQUENCY:	1521 ±5 MHz	GAIN:	-2.5 dBic min
	1575 ±5 MHz		0 dBic min
POLARIZATION:	RIGHT HAND CIRCULAR		
AXIAL RATIO:	3 dB MAX		
RADIATION COVERAGE:	IRIDIUM		
	ELEVATION ANGLE:		
	0° < θ < 10°		
	10° < θ < 90°		
	GPS		
	ELEVATION ANGLE:		
	0° < θ < 10°		
	10° < θ < 20°		
	20° < θ < 30°		
	θ > 30°		
AMPLIFIER:			
GAIN:	IRIDIUM: PASSIVE		
	GPS L1: 26 dB (35 mA)		
VOLTAGE:	IRIDIUM: PASSIVE		
	GPS L1: 3 VDC		
NOISE FIGURE:	2.5 dB MAX		
IMPEDANCE:	50 OHMS		
VSWR:	< 2.0:1		
POWER HANDLING:	10 WATTS		
CONNECTOR:	SPECIFY		
WEIGHT:	4.50 OZ.		
OPERATING TEMP:	-55°C TO +85°C		



DO NOT SCALE THIS DRAWING	DRAWN	09/01/06
REMOVE BURRS AND BREAK SHARP EDGES	A. DEVERA	
PART TO BE CLEAN AND OIL FREE	CHECKED	
ALL DIMENSIONS ARE IN INCHES	ENGR	
DIMENSIONING & TOLERANCING PER ASME Y14.5M-1994	MFG	
TOLERANCES:	G.A.	
Ø & .Ø ±.01 FRACT = ±1/32	APPROVED	
Ø & .Ø ±.005 ANG. = ±1/2°		
✓ SURFACE ROUGHNESS MACHINED PARTS V32 WOLDED PARTS V32	DRAWN IN	ACAD
HOLE DIA. TOLERANCE		
.0135 - .125 ±.004		
.125 - .250 ±.005		
.251 - .500 ±.008		
.501 - .750 ±.010		

AeroAntenna Technology Inc

TITLE: **Dual Mode Ant - White**

SIZE: **B** DRAWING NO.: **RST703** REV: **1**

SCALE: **NONE** SHEET: **1 of 1**